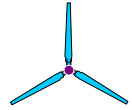




SEOYOUNG TECH. CO., LTD.

Renewable Energy Devices



Model-SYG-510-R-10000-300 AFPMG For HAWT or VAWT

No.	Parameter	Symbol	units	
1	AC-Voltage(Line-Line)	E	V	220
2	Gen. Output Voltage			AC (3Phase)
3	Rotor			Permanent magnet type (Inner rotor)
4	Stator			Coreless
5	Output Power	P _o	W	10,000(5,000 X 2Stack)
6	Rated speed	ω	rpm	300
7	Speed Constant	K _E	V/rpm	0.827
8	Resistance (Line-Line)	R _T	Ω	1.27
9	Maximum Winding Temperature	C _{Max}	°C	130
10	Number of Pole	-	-	24
11	Winding type	-	-	Wye
12	Gen. Weight	W _M	Kg	150
13	Gen. Diameter	M _D	mm	510
14	Gen. Length	M _L	mm	232
15	Housing Material	-	-	Aluminum
16	Shaft Material	-	-	Steel
17	Shaft Bearing	-	-	Ball
18				
19				

APPLICATION – Small Wind Turbine, Hydro Power, etc.

SEOYOUNG TECH Co., Ltd.

#276, Gongdan-dong, Gumi City, Kyungbuk, Korea 730-030

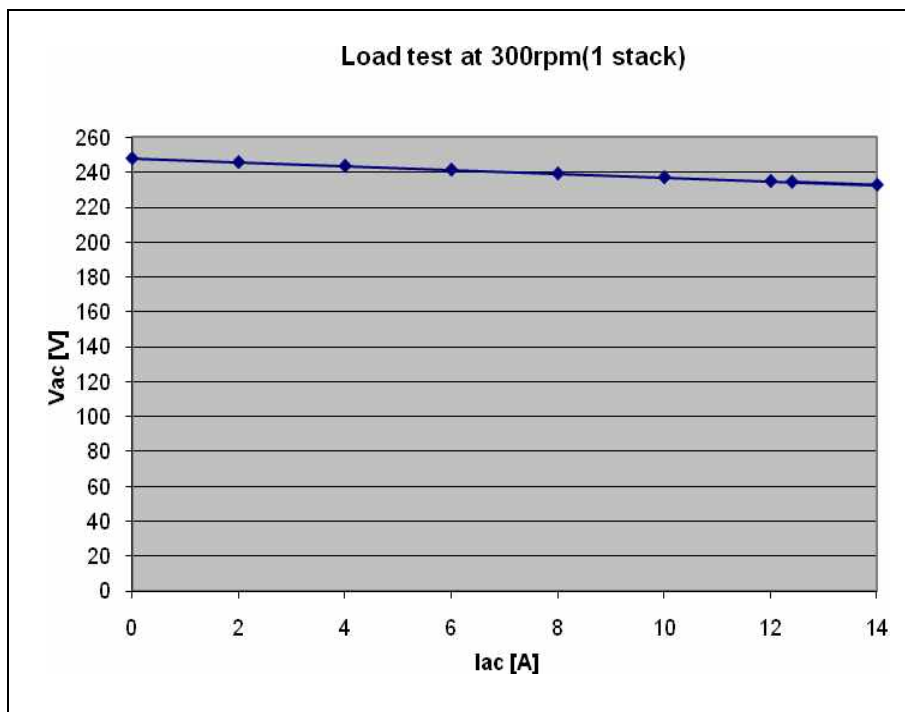
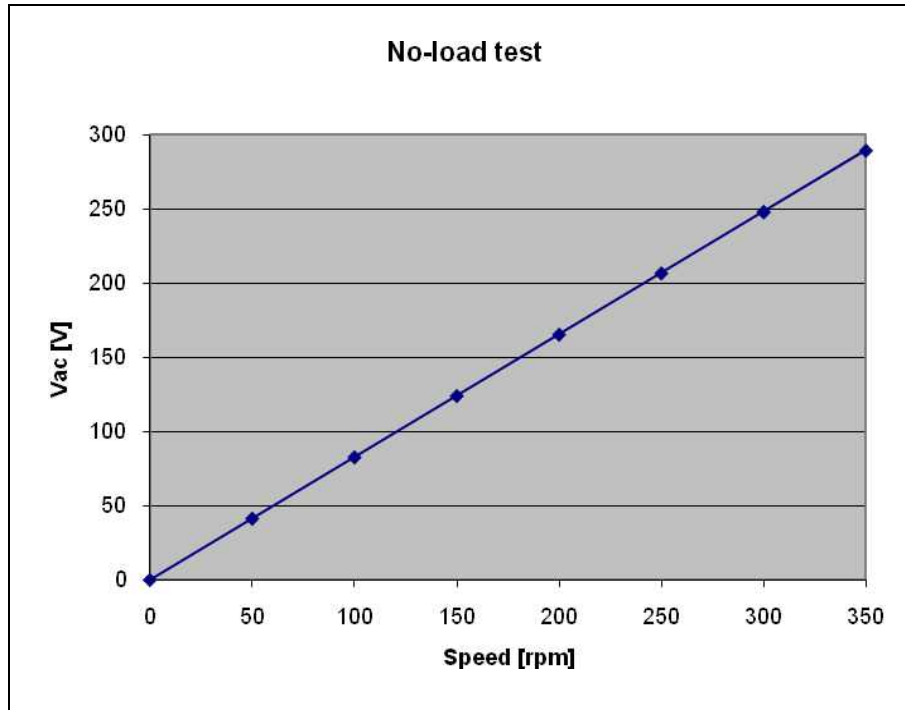
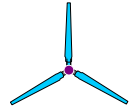
Tel: +82-54-442-4040 Fax: +82-54-442-4060

e-mail: evsmotor@evsmotor.co.kr or www.evsmotor.co.kr



SEOYOUNG TECH. CO., LTD.

Renewable Energy Devices

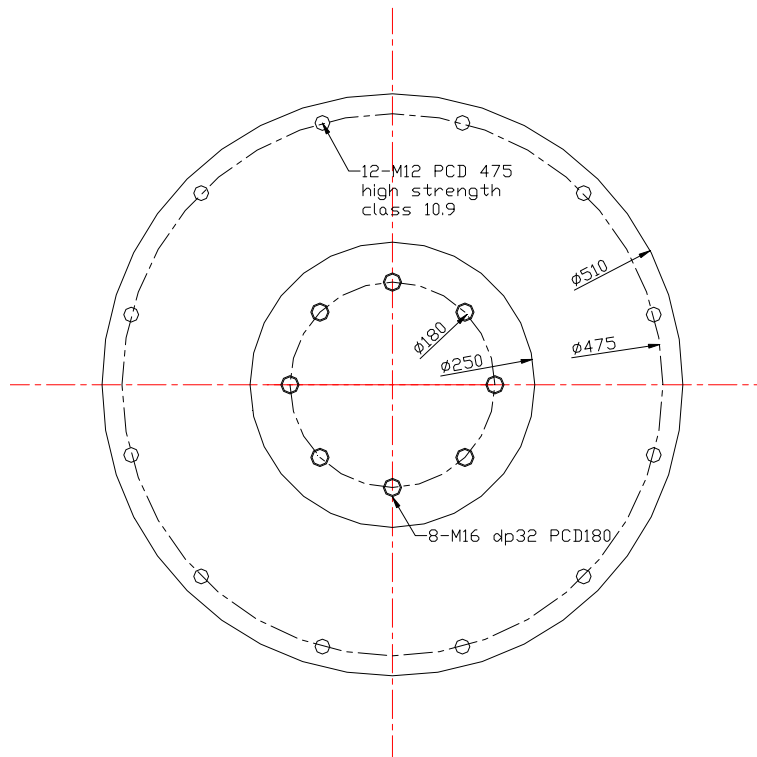
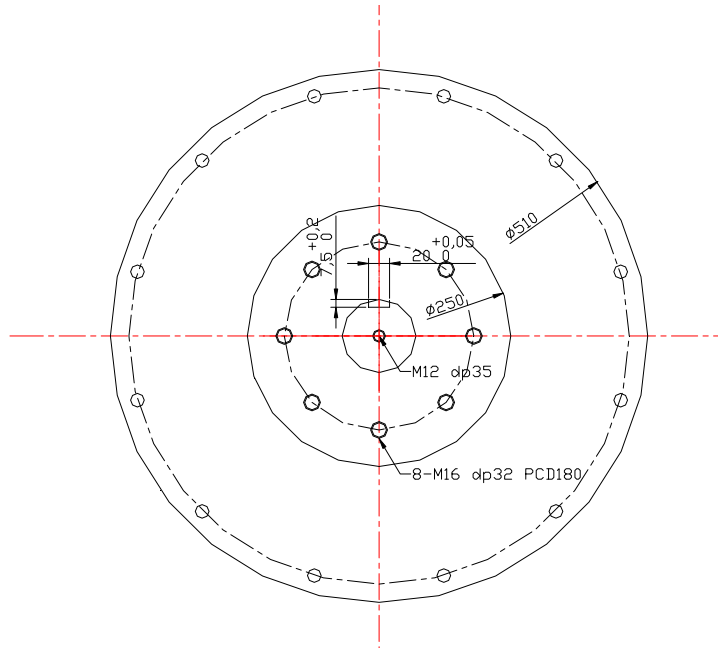
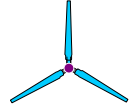


SEOYOUNG TECH Co., Ltd.
#276, Gongdan-dong, Gumi City, Kyungbuk, Korea 730-030
Tel: +82-54-442-4040 Fax: +82-54-442-4060
e-mail: evsmotor@evsmotor.co.kr or www.evsmotor.co.kr

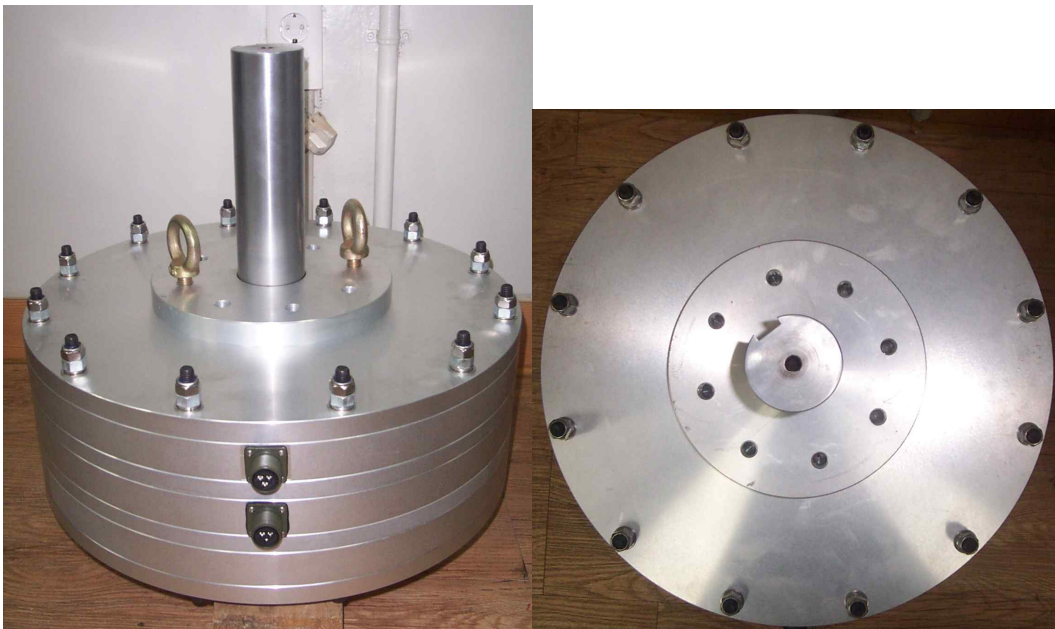
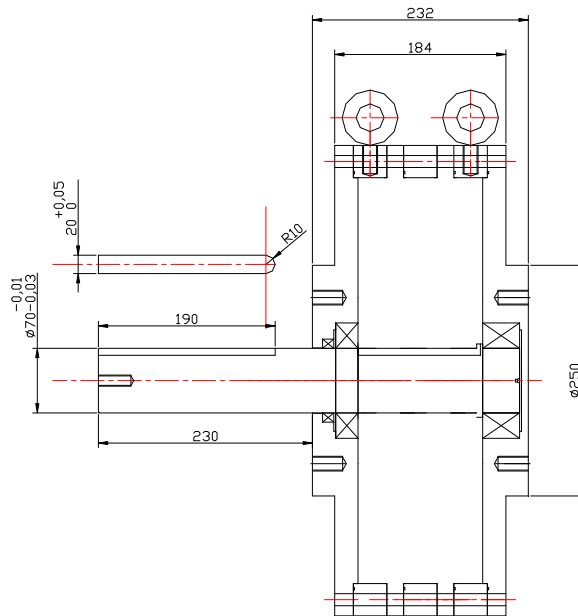
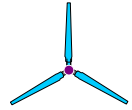


SEOYOUNG TECH. CO., LTD.

Renewable Energy Devices



SEOYOUNG TECH Co., Ltd.
#276, Gongdan-dong, Gumi City, Kyungbuk, Korea 730-030
Tel: +82-54-442-4040 Fax: +82-54-442-4060
e-mail: evsmotor@evsmotor.co.kr or www.evsmotor.co.kr



SEOYOUNG TECH Co., Ltd.
#276, Gongdan-dong, Gumi City, Kyungbuk, Korea 730-030
Tel: +82-54-442-4040 Fax: +82-54-442-4060
e-mail: evsmotor@evsmotor.co.kr or www.evsmotor.co.kr