



SEO YOUNG TECH. CO., LTD.

Renewable Energy Devices

Model - SYM-B208-300 (Other windings available upon request)

No.	Parameter	Symbol	Units	
1	Reference Voltage	E	V	24
2	Rated Output Power	P _o	W	320
3	Efficiency	η_{Max}	%	84
4	Torque Constant	K _T	Nm/A	0.57
5	Back-EMF Constant	K _E	V/rad/s	0.65
6	Resistance(Phase-Phase)	R _T	Ω	0.215
7	Inductance	L	mH	3.87
8	No Load Current	I _{NL}	A	0.70
9	Peak Current (stall) ¹	I _P	A	111.63
10	Continuous Torque (Max)	T _C	Nm	11.70
11	Peak Torque (stall) ¹	T _P	Nm	63.23
12	Friction Torque	T _F	Nm	0.399
13	No Load speed	ω_{NL}	rpm	396
14	Rotor Inertia	J	Kg-m ²	0.035
15	Electrical Time Constant	τ_E	ms	18.000
16	Mechanical Time Constant	τ_M	ms	0.020
17	Damping Constant	D	Nm/(rad/s)	1.721
18	Maximum Winding Temperature	C _{Max}	°C	130
19	Motor Weight	W _M	Kg	7.4
20	Motor Diameter	M _D	mm	245
21	Motor Length	M _L	mm	36
22	Housing Material	-	-	Aluminum
23	Shaft Bearing	-	-	Ball bearing

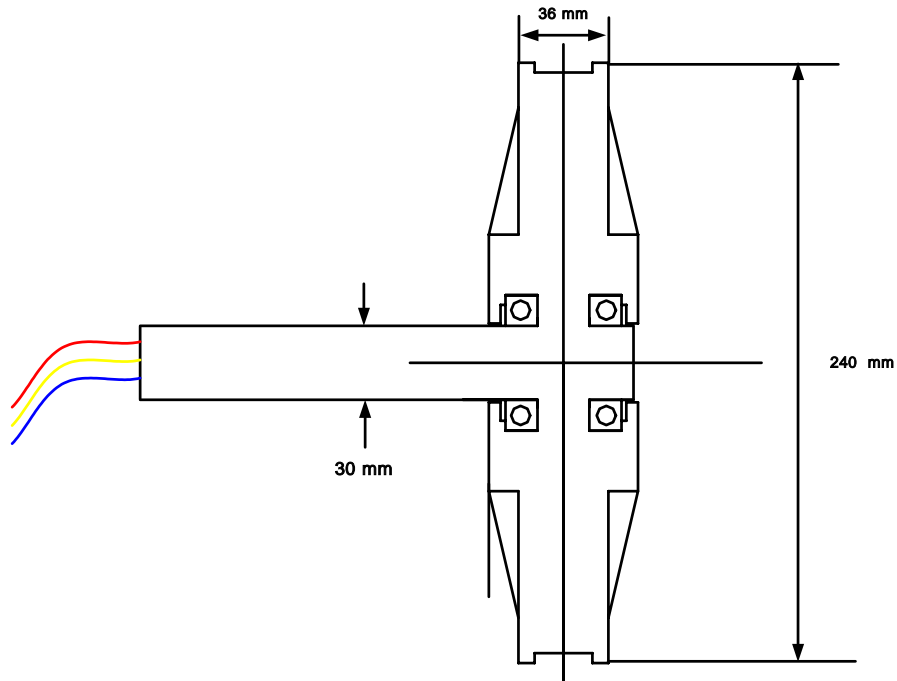
¹Theoretical values

Seo-Young Tech Co. Ltd.,
 #407, Kumi College Venture Business Center,
 Bugok-dong, Kumi City, Kyungbuk, Korea 730-711
 Tel: +82-54-442-4040 Fax: +82-54-442-4060
www.evsmotor.co.kr e-mail: load927@evsmotor.co.kr
 Global Distributor e-mail: martians@unitel.co.kr



SEO YOUNG TECH. CO., LTD.

Renewable Energy Devices



Seo-Young Tech Co. Ltd.,
#407, Kumi College Venture Business Center,
Bugok-dong, Kumi City, Kyungbuk, Korea 730-711
Tel: +82-54-442-4040 Fax: +82-54-442-4060
www.evsmotor.co.kr e-mail: load927@evsmotor.co.kr
Global Distributor e-mail: martians@unitel.co.kr